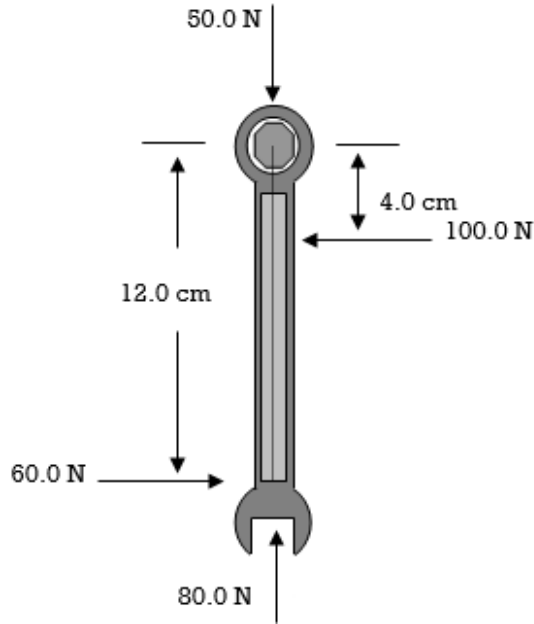


**DIRECTIONS:** Choose an equation and solve. SHOW YOUR WORK!

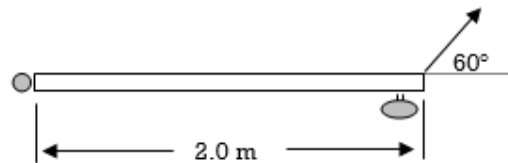
\_\_\_\_\_ 1.  
\_\_\_\_\_

Four forces are applied to Chip's wrench, as shown. Find the total torque in newton-meters caused by these forces. Is the torque negative or positive?



\_\_\_\_\_ 2.

Find the torque produced by the 300.0 N force applied at an angle of 60° to the door in the diagram.



**"To win without risk is to triumph without glory." -- Pierre Corneille**